

Pressure sensor series DW16

Pressure sensor, Ø16mm 79lang, 10-30V DC, G1/8" A / M5 internal, 2x PNP NC/NO, IO-Link, M8 plug connector 4-pin, IP65, ABS plastic, With display



Parameterization via IO-Link LCD display

The vacuum and pressure sensors in the DW16 series with integrated display, 2 switching outputs and G1/8" process connection can be parameterized for specific applications via IO-Link or directly on the sensor (e.g. normally closed/ normally open, switching point, turn-off delay, pressure window, hysteresis settings). They also provide valuable data during use via IO-Link (e.g. damping, switching frequency, etc.). With a response time of <2.5 ms, the compact devices are suitable for use in all conceivable handling and automation systems in which filtered, dry or lubricated compressed air is used, such as pressure monitoring, for vacuum control in vacuum traverses, for controlling compressors and much more.

Advantages

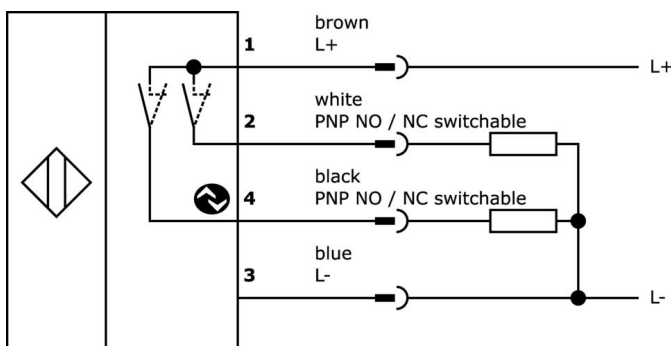
- Flexible parameterization via IO-Link interface
- Integrated display with menu-guided configuration
- Robust design (for pressure peaks up to max. 5 bar or max. 16 bar)
- Two configurable switching outputs
- compact design (Ø16mm)

Article No.	DW164600	DW16460D	DW16460J	DW16460K
Operating voltage	10-30VDC			
No-load current	15 mA			
Measuring range pressure	-1 - 0 bar	0 - 10 bar	-1 - 1 bar	-1 - 10 bar
Max. operating pressure	5 bar	16 bar	5 bar	16 bar
Measurement method	Relative			
Type of process connection	G1/8 inch A / M5 inner			
dimensions	Ø16mm, 79mm long			
Electrical connection	M8 4-pin plug connector			
ardTEEL_Schutzfunktionen	Short circuit protection Reverse polarity protection			
Display	LCD display LED display			
Setting procedure	Parameterization			
Number of switching outputs	2			
Type of switching output	PNP			
Type of switching function	Normally closed contact/normally open contact			
Supported communication interface	IO-Link			
Relative linearity deviation	0.5 %			
Relative repeat accuracy	0.2 %			
Long-term drift per year	0.1 %			
Temperature drift over entire measuring range	1.5 %			
Housing material	Plastic (ABS)			
Material of the process connection	Nickel-plated (n-pltd) brass			
Material of the measuring cell	Silicon (piezoresistive)			
Ambient temperature	-25 - 85 °C			
Degree of protection (IP)	IP65			
Suitable for	Air Neutral gases			

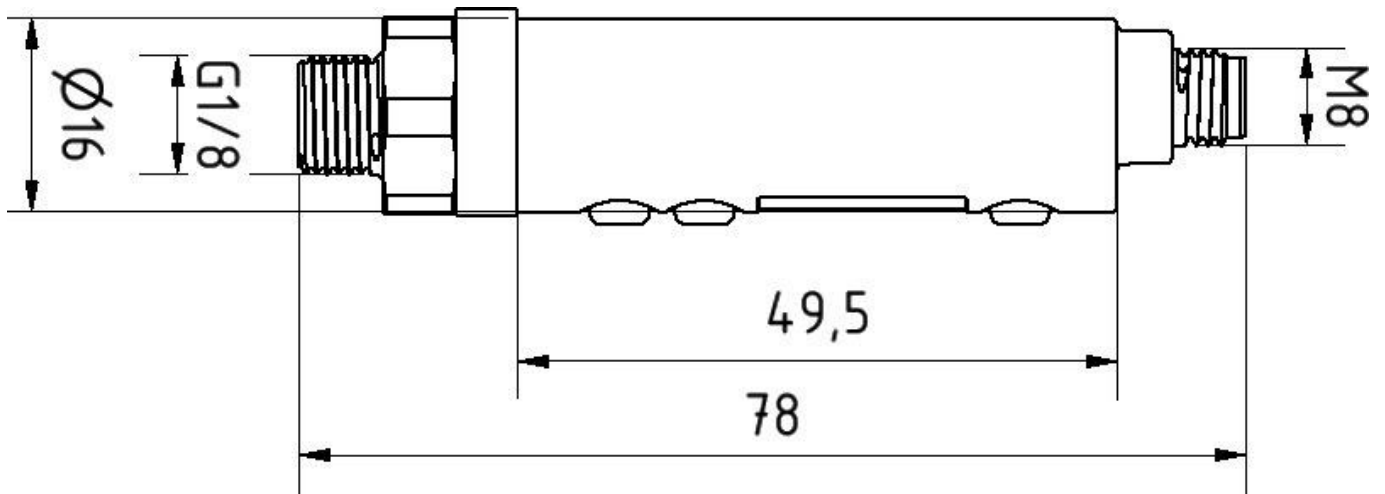
Important notes

/ Installation position Any (connection to pressure system with fan facing downwards)

Connection



Dimensional drawing



Extract accessories program

VK200371



Connection cable, 2m, M8 socket
4-pin angular, free cable end, 4x0.34mm², PUR (polyurethane), Ø4.7mm, 30V, -30-90°C, IP67, suitable for trailing chain and torsion resistant, oils and cooling lubricants, welding area, silicone-free

VK200375



Connection cable, 2m, M8 socket
4-pin straight, free cable end, 4x0.34mm², PUR (polyurethane), Ø4.7mm, 30V, -30-90°C, IP67, suitable for trailing chain and torsion resistant, oils and cooling lubricants, welding area, silicone-free

AD000014



accessories pressure, Quick clip, 30x22x16mm, Holder, Plastic, 90°

AD000015



accessories pressure, Mounting bracket with adapter flange, 44x16x31mm, Adaption, mounting material and bracket, External thread 1/8" - 4mm, Steel, 90°

AD000016



accessories pressure, Mounting bracket with adapter flange, 44x16x31mm, Adaption, mounting material and bracket, External thread 1/8" - 6mm, Steel, 90°

AD000021



Pressure accessories, profile seal G1/8", Ø11.9mm 1.0 high, fluorocarbon rubber FKM, green

AD000022



Pressure accessories, adapter, G1/8, 15 long, nickel-plated (n-pltd) brass

VY000005



IO-Link master, 41x24x67mm, IO-Link, M12, With USB interface

You can find further accessories on our homepage



Installation

Mounting / installation may only be carried out by a qualified electrician!



Disposal

WEEE number according to § 6 para. 3 ElektroG: 40951076

Safety warnings

/ Before initial operation, please make sure to follow all safety instructions that may be provided in the product information.

/ Never use these devices in applications where the safety of a person depends on their functionality.

/ Any software, drivers or IODD files that may be required to operate your device can be downloaded free of charge from our homepage: www.ipf-electronic.com